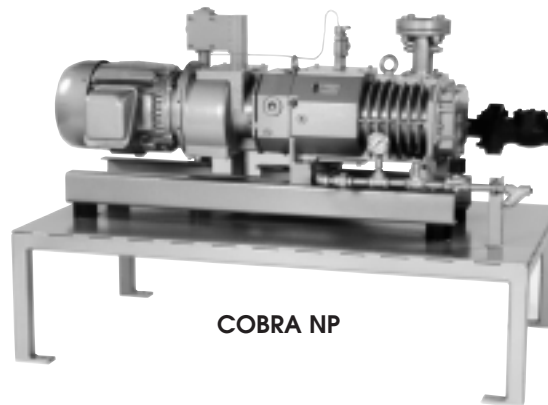


DRY SCREW VACUUM PUMP

MODEL: COBRA NP



DESCRIPTION

The COBRA NP single stage, direct driven dry vacuum pump, with its unique rotary screws, is designed for a broad range of industries. It requires no intercoolers and offers greater efficiency and easier maintenance than other types of dry vacuum pumps. COBRA NP pumps provide vacuum down to 0.075 torr, pumping speeds up to 180 ACFM, and will operate at any pressure from atmosphere down to ultimate pressure. COBRA NP pumps are direct cooled and can be supplied with closed loop evaporative cooling. Blower/pump systems for higher pumping speeds and lower ultimate pressures are available.

FEATURES

- Oil-free pumping chamber - no disposal costs, easy product recovery, environmentally friendly
- Simple screw design - fewer parts, easier maintenance
- Labyrinth seals
- Single stage - no intercoolers required
- Small footprint - for less space requirements
- Noncontacting parts - for longer pump life
- Low vibration and noise levels
- Straight, short flow path for quick discharge
- Protective instrumentation
- Low coolant requirements
- Protective PTFE coating on internal parts

STANDARD EQUIPMENT

- Cooling water inlet solenoid valve
- Cooling water flow control system
- Cooling water temperature switch and gauge
- Exhaust gas temperature switch
- Exhaust check valve
- NEMA C-Face motor, TEFC
- Exhaust silencer

OPTIONAL EQUIPMENT

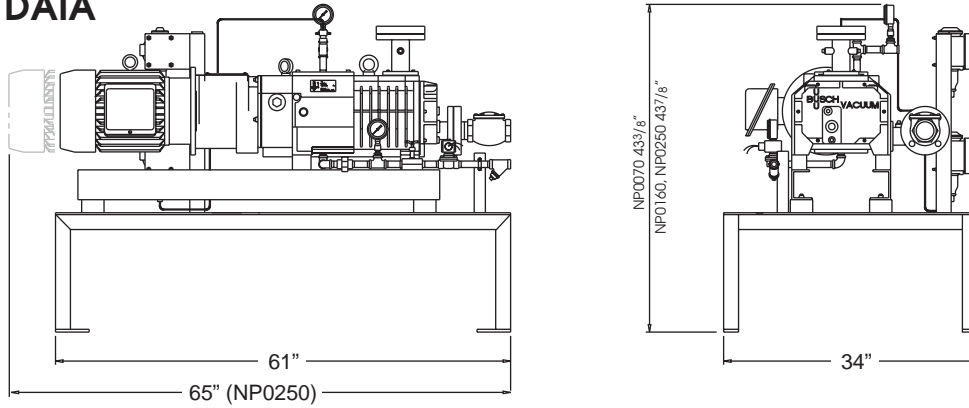
- Closed loop evaporative cooling
- Inlet particulate filter
- Combination knockout pot/inlet filter
- Automatic start/stop purge package
- Inert gas flushing system
- Junction box
- Control panel
- Annunciator
- Variable frequency drives
- Food grade lubricant for bearings and gears



DRY SCREW VACUUM PUMP

MODEL: COBRA NP

DIMENSIONAL DATA



STANDARD SPECIFICATIONS

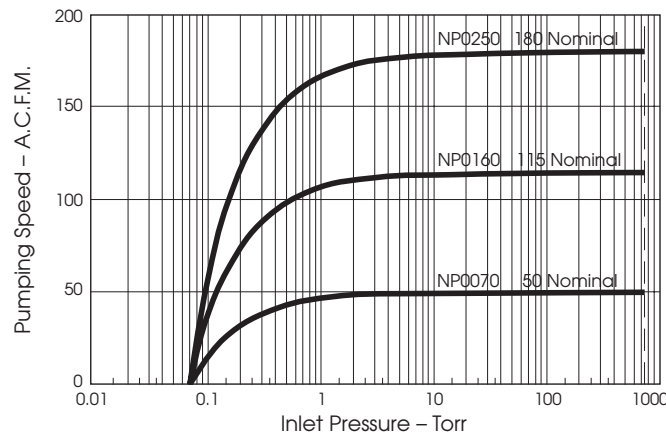
COBRA Model		NP0070	NP0160	NP0250
Nominal pumping speed	ACFM	50	115	180
Free air displacement	CFM	58	135	210
Maximum sound level	dBA	75	82	82
Ultimate pressure	Torr	0.075	0.075	0.075
Motor size	HP	5	7.5	15
Motor rotational speed	RPM	3600	3600	3600
Oil sump capacity	Qts	2	2	2
Water usage rate*	GPM	1	1	1
Inlet connection	NPT	1 1/4"	2"	2"
Outlet connection	NPT	1 1/4"	2"	2"
Approx. weight w/ motor & base	Lbs	1000	1400	1600

Consult factory for blower/pump systems with higher capacities and lower ultimate pressures.

*Applies to direct cooled models only.

PERFORMANCE DATA

(Based on 60 cycle motor)



Busch, Inc.

516 Viking Drive
 Virginia Beach, VA 23452
 Phone (757) 463-7800
 FAX (757) 463-7407
www.buschpump.com

For more information call
1-800-USA-PUMP

ISO 9001 Registered Company

Holland, Spain, Switzerland, Sweden, Turkey, Denmark, England, Australia, Italy, France, China, Germany, Taiwan, Japan, Austria, Canada

Models and specifications are subject to change without notice.

COBRA NP-04-12/01-2M